



Cisco Aironet 5.5-dBi Omnidirectional Antenna (AIR-ANT2455V-N)

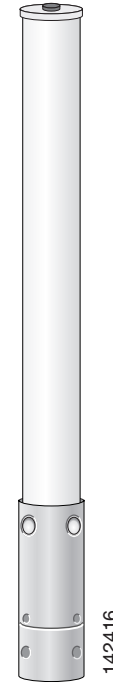
This document describes the Cisco Aironet AIR-ANT2455V-N 5.5-dBi Omnidirectional Antenna and provides instructions for mounting it. The antenna operates in the 2.4-GHz frequency range and is designed for outdoor use with the Cisco Aironet 1500 Series Lightweight Outdoor Mesh Access Point (*hereafter referred to as the access point*).

The following information is provided in this document.

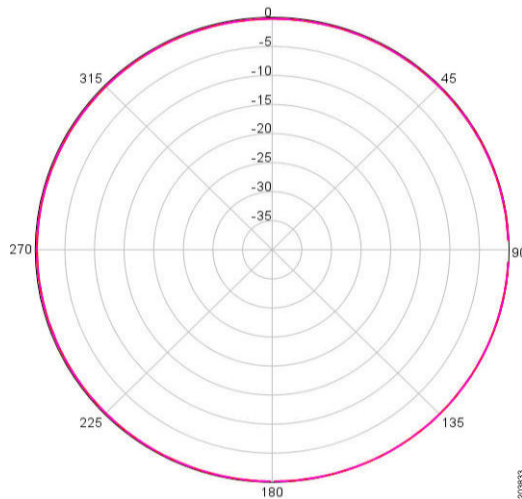
- [Technical Specifications, page 2](#)
- [System Requirements, page 3](#)
- [Safety Precautions, page 3](#)
- [Installation Notes, page 3](#)
- [Obtaining Documentation and Submitting a Service Request, page 5](#)

Technical Specifications

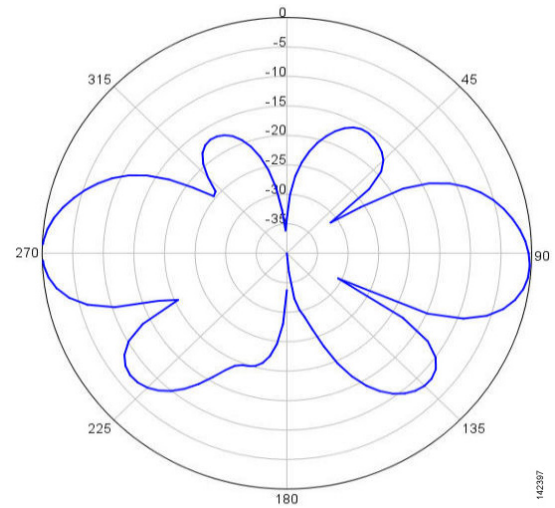
Antenna type	Omnidirectional colinear array
Operating frequency range	2400–2484 MHz
1.7:1 VSWR bandwidth	2400–2484 MHz
Nominal input impedance	50 Ohms
Gain	5.5-dBi
Polarization	Linear
E-plane 3-dB beamwidth	25°
H-plane 3-dB bandwidth	Omnidirectional
Length	12.0 in. (30.5 cm)
Diameter	1.0 in. (2.54 cm)
Weight	6.0 oz. (160.0 g)
Connector type	N-Male
Operating temperature	-22°F - 158°F (-30°C - 70°C)
Wind rating	100 mph (160 kmh) 165 mph (265 kmh) gusts



Azimuth Radiation Pattern



Elevation Radiation Pattern



System Requirements

This antenna is designed for use with the Cisco Aironet 1500 Series Lightweight Outdoor Mesh Access Point. Because it uses an N connector, it is incompatible with other Cisco Aironet access points.

Safety Precautions

Each year hundreds of people are killed or injured when attempting to install an antenna. In many of these cases, the victim was aware of the danger of electrocution, but did not take adequate steps to avoid the hazard.

For your safety, and to help you achieve a good installation, please read and follow these safety precautions. **They may save your life!**

1. If you are installing an antenna for the first time, for your own safety as well as others, seek professional assistance. Your Cisco sales representative can explain which mounting method to use for the size and type antenna you are about to install.
2. Select your installation site with safety, as well as performance in mind. Remember: electric power lines and phone lines look alike. For your safety, assume that any overhead line can kill you.
3. Call your electric power company. Tell them your plans and ask them to come look at your proposed installation. This is a small inconvenience considering your life is at stake.
4. Plan your installation carefully and completely before you begin. Successful raising of a mast or tower is largely a matter of coordination. Each person should be assigned to a specific task, and should know what to do and when to do it. One person should be in charge of the operation to issue instructions and watch for signs of trouble.
5. When installing your antenna, remember:
 - a. **Do not** use a metal ladder.
 - b. **Do not** work on a wet or windy day.
 - c. **Do** dress properly—shoes with rubber soles and heels, rubber gloves, long sleeved shirt or jacket.
6. If the assembly starts to drop, get away from it and let it fall. Remember, the antenna, mast, cable, and metal guy wires are all excellent conductors of electrical current. Even the slightest touch of any of these parts to a power line complete an electrical path through the antenna and the installer: **you!**
7. If any part of the antenna system should come in contact with a power line, **don't touch it or try to remove it yourself. Call your local power company.** They will remove it safely.
8. If an accident should occur with the power lines call for qualified emergency help immediately.

Installation Notes

The antenna is designed to connect to a dedicated antenna connector on the access point. No special tools are required to install the antenna.

**Note**

A rubber drain plug is located at the tip of the antenna. To ensure proper drainage, remove the drain plug if you are mounting the access point with the antenna pointing towards the ground. In the unlikely event that water enters the antenna, it will drain down the antenna's inside walls and out through the drain hole. If you mount the access point with the antennas pointing up, do not remove the drain plug.

Choosing a Mounting Location

The antenna is designed to create a directional broadcast pattern. To achieve this pattern, the access point should be mounted clear of any obstructions to the sides of the radiating element. If the mounting location is on the side of a building or tower, the antenna pattern is degraded on the building or tower side.

Generally, the higher an antenna is above the ground, the better it performs. Good practice is to install your antenna about 5 to 10 ft (1.5 to 3 m) above the roof line and away from all power lines and obstructions. If possible, find a mounting place directly above your wireless device so that the lead-in cable can be as short as possible.

Tools and Equipment Required

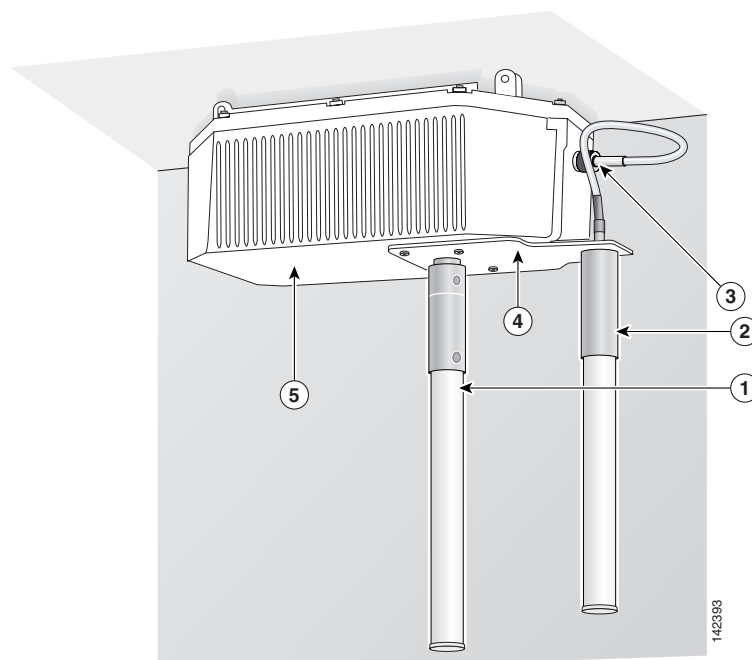
No tools are required to mount the antenna to the access point.

For information about tools required to mount the access point, see the appropriate access point documentation.

Mounting the Antenna

Figure 1 shows how the antenna should be mounted to the access point.

Figure 1 **Antenna Mounting**



1	2.4-GHz antenna	4	5-GHz antenna mounting panel
2	5-GHz antenna	5	Access point
3	5-GH antenna connector		

Follow these steps to connect the antenna to the access point.

-
- Step 1** Carefully align the antenna’s N connector with the access point’s 2.4-GHz antenna receptacle.
 - Step 2** Gently push the antenna into the receptacle.
 - Step 3** Tighten the antenna connector hand tight.
 - Step 4** (If the antenna faces down as shown in Figure 1)—Remove the rubber drain plug at the end of the antenna.
-

Obtaining Documentation and Submitting a Service Request

For information on obtaining documentation, submitting a service request, and gathering additional information, see the monthly *What’s New in Cisco Product Documentation*, which also lists all new and revised Cisco technical documentation, at:

<http://www.cisco.com/en/US/docs/general/whatsnew/whatsnew.html>

Subscribe to the *What’s New in Cisco Product Documentation* as a Really Simple Syndication (RSS) feed and set content to be delivered directly to your desktop using a reader application. The RSS feeds are a free service and Cisco currently supports RSS Version 2.0.

CCSP, CCVP, the Cisco Square Bridge logo, Follow Me Browsing, and StackWise are trademarks of Cisco Systems, Inc.; Changing the Way We Work, Live, Play, and Learn, and iQuick Study are service marks of Cisco Systems, Inc.; and Access Registrar, Aironet, ASIST, BPX, Catalyst, CCDA, CCDP, CCIE, CCIP, CCNA, CCNP, Cisco, the Cisco Certified Internetwork Expert logo, Cisco IOS, Cisco Press, Cisco Systems, Cisco Systems Capital, the Cisco Systems logo, Cisco Unity, Empowering the Internet Generation, Enterprise/Solver, EtherChannel, EtherFast, EtherSwitch, Fast Step, FormShare, GigaDrive, GigaStack, HomeLink, Internet Quotient, IOS, IP/TV, iQ Expertise, the iQ logo, iQ Net Readiness Scorecard, LightStream, Linksys, MeetingPlace, MGX, the Networkers logo, Networking Academy, Network Registrar, *Packet*, PIX, Post-Routing, Pre-Routing, ProConnect, RateMUX, ScriptShare, SlideCast, SMARTnet, StrataView Plus, TeleRouter, The Fastest Way to Increase Your Internet Quotient, and TransPath are registered trademarks of Cisco Systems, Inc. and/or its affiliates in the United States and certain other countries.

All other trademarks mentioned in this document or Website are the property of their respective owners. The use of the word partner does not imply a partnership relationship between Cisco and any other company. (0502R)