



## Cisco Aironet 9.5-dBi Patch Antenna (AIR-ANT5195P-R)

---

This document outlines the specifications, describes the AIR-ANT5195P-R 9.5-dBi patch antenna, and provides instructions for mounting it. The antenna operates in the 5-GHz frequency range and is designed for use in both indoor and outdoor environments.

The following information is provided in this document.

- [Technical Specifications, page 2](#)
- [System Requirements, page 3](#)
- [Installation Guidelines, page 4](#)
- [Installing the Antenna, page 5](#)
- [Obtaining Documentation and Submitting a Service Request, page 11](#)

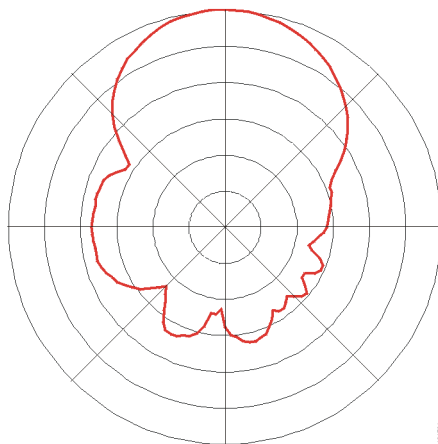
# Technical Specifications

Antenna type	2 x 2 Patch array
Operating frequency range	5150–5850 MHz
Nominal input impedance	50Ω
Peak gain	9.5 dBi
Polarization	Linear, vertical
E-plane 3-dB beamwidth	43°
H-plane 3-dB beamwidth	50°
Sidelobe level	<−20 dBc
Front-to-back ratio	>20 dB
Cable length and type	36 in. (91.4 cm) Plenum rated, UV stable
Connector type	RP-TNC Male
Length	5.1 in. (12.9 cm)
Width	5.1 in. (12.9 cm)
Height	1.0 in. (2.5 cm)
Weight	10 oz. (0.2 kg)
Operating temperature range	−22°F to 158°F (−30°C to 70°C)
Storage temperature range	−40°F to 185°F (−40°C to 85°C)



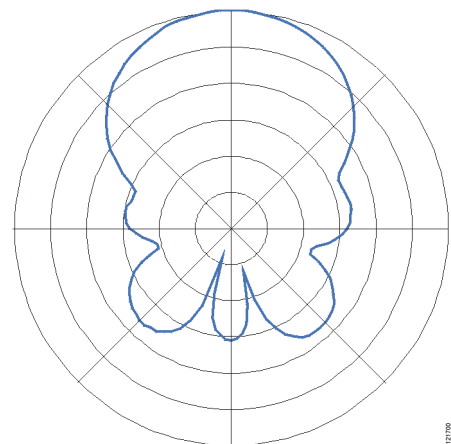
158002

**E-Plane Pattern**



158002

**H-Plane Pattern**



158002

# System Requirements

This antenna is designed for use with Cisco Aironet access points and bridges but can be used with any 5-GHz Cisco Aironet radio device that uses an RP-TNC connector.

## Safety Precautions



Warning

**Installation of this antenna near power lines is dangerous. For your safety, follow the installation directions.**



Warning

**This warning symbol means danger. You are in a situation that could cause bodily injury. Before you work on any equipment, be aware of the hazards involved with electrical circuitry and be familiar with standard practices for preventing accidents.**



Warning

**In order to comply with international radio frequency (RF) exposure limits, dish antennas should be located at a minimum of 8.7 inches (22 cm) or more from the bodies of all persons. Other antennas should be located a minimum of 7.9 inches (20 cm) or more from the bodies of all persons.**



Warning

**Do not work on the system or connect or disconnect cables during periods of lightning activity.**



Warning

**This equipment must be grounded. Never defeat the ground conductor or operate the equipment in the absence of a suitably installed ground conductor. Contact the appropriate electrical inspection authority or an electrician if you are uncertain that suitable grounding is available.**



Warning

**Do not locate the antenna near overhead power lines or other electric light or power circuits, or where it can come into contact with such circuits. When installing the antenna, take extreme care not to come into contact with such circuits, as they may cause serious injury or death. For proper installation and grounding of the antenna, please refer to national and local codes (e.g. U.S.:NFPA 70, National Electrical Code, Article 810, in Canada: Canadian Electrical Code, Section 54).**

Each year hundreds of people are killed or injured when attempting to install an antenna. In many of these cases, the victim was aware of the danger of electrocution, but did not take adequate steps to avoid the hazard.

For your safety, and to help you achieve a good installation, please read and follow these safety precautions. **They may save your life!**

1. If you are installing an antenna for the first time, for your own safety as well as others, seek professional assistance. Your Cisco sales representative can explain which mounting method to use for the size and type antenna you are about to install.
2. Select your installation site with safety, as well as performance in mind. Remember: electric power lines and phone lines look alike. For your safety, assume that any overhead line can kill you.

3. Call your electric power company. Tell them your plans and ask them to come look at your proposed installation. This is a small inconvenience considering your life is at stake.
4. Plan your installation carefully and completely before you begin. Successful raising of a mast or tower is largely a matter of coordination. Each person should be assigned to a specific task, and should know what to do and when to do it. One person should be in charge of the operation to issue instructions and watch for signs of trouble.
5. When installing your antenna, remember:
  - a. **Do not** use a metal ladder.
  - b. **Do not** work on a wet or windy day.
  - c. **Do** dress properly—shoes with rubber soles and heels, rubber gloves, long sleeved shirt or jacket.
6. If the assembly starts to drop, get away from it and let it fall. Remember, the antenna, mast, cable, and metal guy wires are all excellent conductors of electrical current. Even the slightest touch of any of these parts to a power line complete an electrical path through the antenna and the installer: **you!**
7. If any part of the antenna system should come in contact with a power line, **don't touch it or try to remove it yourself. Call your local power company.** They will remove it safely.
8. If an accident should occur with the power lines call for qualified emergency help immediately.

## Installation Guidelines

Because the antennas transmit and receive radio signals, they are susceptible to RF obstructions and common sources of interference that can reduce throughput and range of the device to which they are connected. Follow these guidelines to ensure the best possible performance:

- Mount the antenna to take advantage its propagation characteristics. Mount it as high as possible and oriented so that the cables are pointing down (towards the ground).
- Keep the antenna away from metal obstructions such as heating and air-conditioning ducts, large ceiling trusses, building superstructures, and major power cabling runs. If necessary, use a rigid conduit to lower the antenna away from these obstructions.
- The density of the materials used in a building's construction determines the number of walls the signal must pass through and still maintain adequate coverage. Consider the following before choosing the location in which to install your antenna:
  - Paper and vinyl walls have very little affect on signal penetration.
  - Solid and pre-cast concrete walls limit signal penetration to one or two walls without degrading coverage.
  - Concrete and wood block walls limit signal penetration to three or four walls.
  - A signal can penetrate five or six walls constructed of drywall or wood.
  - A thick metal wall causes signals to reflect, causing poor penetration.
- Install the antenna away from 5-GHz cordless phones. These products can cause signal interference because they operate in the same frequency range as the device your antenna is connected to.

## Site Selection

Before attempting to install your antenna, determine where you can best place the antenna for safety and performance.

Follow these steps to determine a safe distance from wires, power lines, and trees.

---

**Step 1** Measure the height of your antenna.

**Step 2** Add this length to the length of your tower or mast and then double this total for the minimum recommended safe distance.



**Caution**

---

If you are unable to maintain this safe distance, stop and get professional help.

---

Generally, the higher an antenna is above the ground, the better it performs. Good practice is to install your antenna about 5 to 10 ft (1.5 to 3 m) above the roof line and away from all power lines and obstructions. If possible, find a mounting place directly above your wireless device so that the lead-in cable can be as short as possible.

## Installing the Antenna

You can install the antenna on any flat vertical surface or on a mast using the mast mounting kit. An articulated mast mounting kit is also available. Hardware for mounting the antenna on drywall is provided. If you intend to install your antenna on another surface, you must provide the appropriate hardware.

## Tools and Equipment Required

An installation kit is shipped with the antenna and consists of the following hardware:

- Four #8 x 1¼-in. sheet metal screws
- Four screw caps
- Four screw cap washers

You need the following tools and equipment, which are not provided.

- A #2 Phillips screwdriver
- A drill
- A 3/16-in. (4.8 mm) drill bit (for drywall installation; other surfaces may require a different size)
- A pencil
- A small mallet or hammer

The following sections contain typical procedures for installing the antenna on a vertical surface or a mast. Your installation may vary. Before you begin, you may want to refer to Figure 1.

## Mounting on a Vertical Surface

Follow these steps to mount your antenna on a vertical surface. This procedure describes mounting the antenna on a drywall surface. If you are mounting the antenna on any other type of surface, your procedure may vary slightly.

- 
- Step 1** Determine the location in which you will mount the antenna.
  - Step 2** Use the antenna as a template to mark the locations of the four mounting holes with a pencil.
  - Step 3** Use a drill and 3/16-in. (4.8 mm) drill bit to drill four holes at the locations you marked in Step 2.
  - Step 4** Start a plastic anchor into each hole.
  - Step 5** Use a mallet or small hammer to seat the anchors into the wall.
  - Step 6** Align the antenna's mounting holes with the anchors.

**Caution**

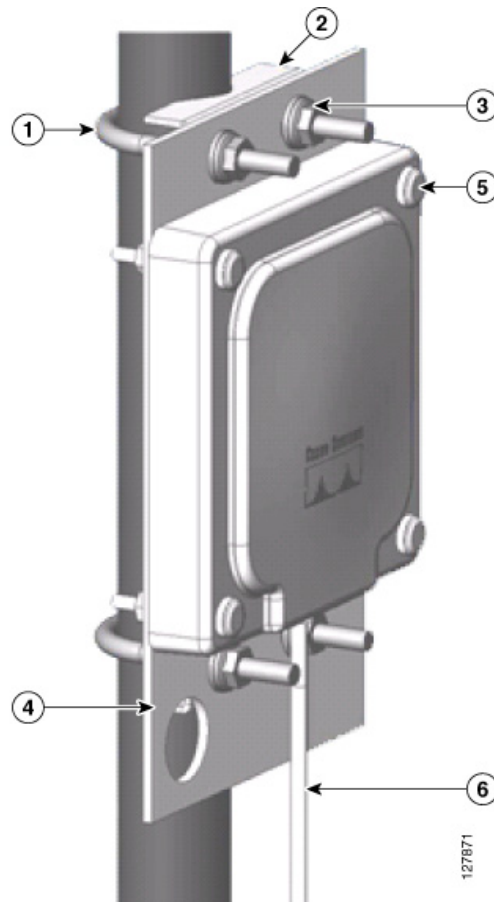
The back of the antenna has an orientation marking. Make sure the antenna is mounted according to the marking. If the antenna is not mounted properly, degraded performance could result.

- 
- Step 7** Put a screw cap washer onto a #8 screw and start the screw into each antenna mounting hole.
  - Step 8** Use a Phillips screwdriver to secure the antenna to the wall. Do not overtighten.
  - Step 9** Install the screw caps onto the screw cap washers.
-

## Mounting on a Mast

The antenna can be mounted on a mast using an optional mast mounting kit as shown in [Figure 1](#).

**Figure 1** Optional Mast Mount



<b>1</b>	¼-20 u-bolt	<b>4</b>	Mounting plate
<b>2</b>	Support bracket	<b>5</b>	#8-32 x 1-½ machine screws and screw cap washers
<b>3</b>	¼-in. flat washers and ¼-20 nuts	<b>6</b>	Antenna cable

Follow these steps to mount the antenna on a mast.

- 
- Step 1** Place one ¼-20 u-bolt around the mast, and place one support bracket on the u-bolt.
  - Step 2** Place the mounting plate on the u-bolt.
  - Step 3** Place two ¼-inch flat washers and ¼-20 nuts on the ends of the u-bolt. Tighten the nuts finger tight.
  - Step 4** Repeat steps 1 through 3 for the other u-bolt.
  - Step 5** Position the mounting plate on the mast in the direction the antenna should face and tighten the u-bolt nuts with a 7/16-in. (11-mm) wrench.

- Step 6** Position the antenna on the mounting plate.
- Step 7** Place the screw cap washers onto the four #8-32 x 1-½-in. machine screws.
- Step 8** Install the screws through the antenna mounting plate and install the #8 nuts.
- Step 9** Tighten the #8 screws and nuts with a #2 Phillips screwdriver and an 11/32-in. (9-mm) wrench.



---

**Caution** Do not overtighten the nuts. You could damage the antenna.

---

- Step 10** Install the screw caps onto the screw cap washers.
- Step 11** Route the antenna cable to the wireless device.



---

**Note** Cisco recommends grounding the antenna. See the [“Grounding the Antenna”](#) section on page 11 for details.

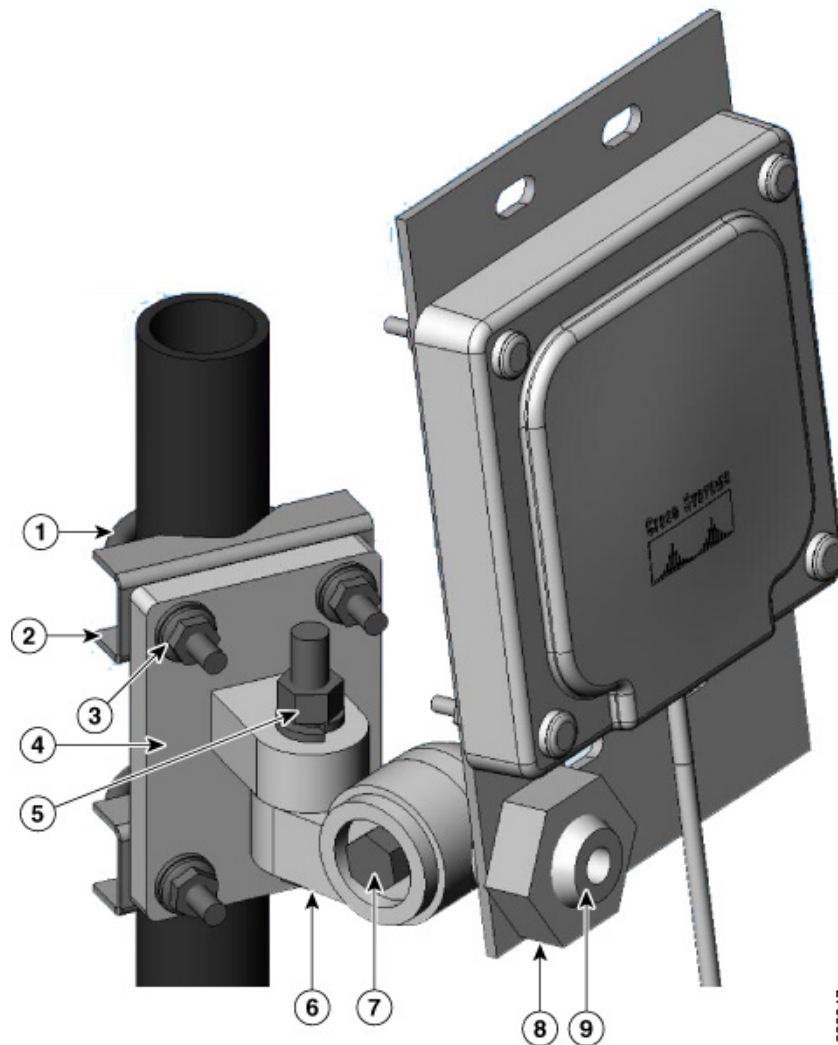
---



## Installing the Articulated Mount

The antenna can also be mounted on an optional articulated mounting device as shown in [Figure 2](#). The articulated mount is used with the mast mount to provide a way to adjust the antenna elevation and azimuth through a limited range.

**Figure 2** Articulated Mount Details



1	u-bolt	6	Knuckle
2	Support bracket	7	Elevation adjustment bolt
3	1/4-20 nut and flat washer	8	Stud nut
4	Articulated mount base	9	Stud
5	Azimuth adjustment nut and lockwasher		

Figure 2 shows the articulated mount installed on a mast. You can also install it on any suitable flat surface.

Follow these steps to install the articulated mount on a mast:

- 
- Step 1** Place one ¼-20 u-bolt around the mast, and place one support bracket on the U-bolt.
  - Step 2** Place the articulated mounting base on the u-bolt.
  - Step 3** Place two ¼-in. flat washers and ¼-20 nuts on the ends of the u-bolt. Tighten the nuts finger tight.
  - Step 4** Repeat Steps 1 through 3 for the other u-bolt.
  - Step 5** Position the mounting plate on the mast in the direction the antenna should face and tighten the u-bolt nuts with a 7/16-in. (11-mm) wrench.
  - Step 6** Use the elevation adjustment bolt to install the knuckle assembly on the articulated mount base.
  - Step 7** Install a lock washer and nut onto the elevation adjustment bolt. Tighten the nut finger tight.




---

**Note** You may want to install the antenna on its antenna mounting plate before proceeding to the next step. If so, skip Step 10 of this procedure and perform Steps 6 through 9 in the [“Mounting on a Mast” section on page 7](#)

---

- Step 8** Position the antenna mounting plate on the articulating mount stud.
- Step 9** Start the stud nut onto the articulating mount stud. Tighten the nut hand tight. Be careful not to overtighten the nut as the stud is made of plastic.
- Step 10** Install the antenna on the antenna mounting plate.
- Step 11** Use the azimuth and elevation adjustments to fine tune the antenna’s azimuth and elevation.
- Step 12** When the antenna is properly adjusted, use a 9/16 in. wrench to tighten the azimuth and elevation adjustment nuts. Do not overtighten.
- Step 13** Route the antenna cable to the wireless device.




---

**Note** Cisco recommends grounding the antenna. See the [“Grounding the Antenna” section on page 11](#) for details.

---



**Caution**

---

If you install additional lengths of antenna cable, be sure to install a suitable strain relief. The antenna may be damaged if you do not eliminate the extra weight of the cable. The antenna is not designed to support the weight of a cable longer than the installed 3-ft (91.4 cm) cable.

---

## Antenna Cable Information



**Note**

---

Coaxial cable loses efficiency as the frequency increases, resulting in signal loss. The cable should be kept as short as possible because cable length also causes signal loss (the longer the run, the greater the loss).

---

**Note**

The antenna cable has a 0.5 in. (12.7 mm) bend radius. Sharply bending or crimping the cable may cause a degradation in performance.

The antenna terminates with a RP-TNC plug after a short, 3-ft (0.91-m) cable. The mating connector to the antenna is an appropriate RP-TNC jack. The connector on the opposite end will vary according to the type of equipment used.

After the cable is attached to the antenna, make sure that the connections are sealed (if outdoors) to prevent moisture and other weathering elements from affecting performance. Cisco recommends using a coax seal (such as CoaxSeal) for outdoor connections. Silicone sealant or electrical tape are **not** recommended for sealing outdoor connections.

## Grounding the Antenna

Follow these steps to ground the antenna in accordance with national electrical code instructions.

- Step 1** Use No. 10 AWG copper or No. 8 or larger copper-clad steel or bronze wire as ground wires for both mast and lead-in. Securely clamp the wire to the bottom of the mast.
- Step 2** Secure the lead-in wire to an antenna discharge unit and the mast ground wire to the building with stand-off insulators spaced from 4 ft (1.2 m) to 8 ft (2.4 m) apart.
- Step 3** Mount the antenna discharge unit as close as possible to where the lead-in wire enters the building.
- Step 4** Drill a hole in the building's wall as close as possible to the equipment to which you will connect the lead-in cable.

**Caution**

There may be wires in the wall. Make sure your drilling location is clear of any obstructions or other hazards.

- Step 5** Pull the cable through the hole and form a drip loop close to where it enters the building.
- Step 6** Thoroughly waterproof the lead-in area.
- Step 7** Install a lightning arrester.
- Step 8** Connect the lead-in cable to the equipment.

## Obtaining Documentation and Submitting a Service Request

For information on obtaining documentation, submitting a service request, and gathering additional information, see the monthly *What's New in Cisco Product Documentation*, which also lists all new and revised Cisco technical documentation, at:

<http://www.cisco.com/en/US/docs/general/whatsnew/whatsnew.html>

Subscribe to the *What's New in Cisco Product Documentation* as a Really Simple Syndication (RSS) feed and set content to be delivered directly to your desktop using a reader application. The RSS feeds are a free service and Cisco currently supports RSS Version 2.0.

---

Cisco and the Cisco Logo are trademarks of Cisco Systems, Inc. and/or its affiliates in the U.S. and other countries. A listing of Cisco's trademarks can be found at [www.cisco.com/go/trademarks](http://www.cisco.com/go/trademarks). Third party trademarks mentioned are the property of their respective owners. The use of the word partner does not imply a partnership relationship between Cisco and any other company. (1005R)

Copyright © 2005 Cisco Systems, Inc. All rights reserved.